



Miller Collection

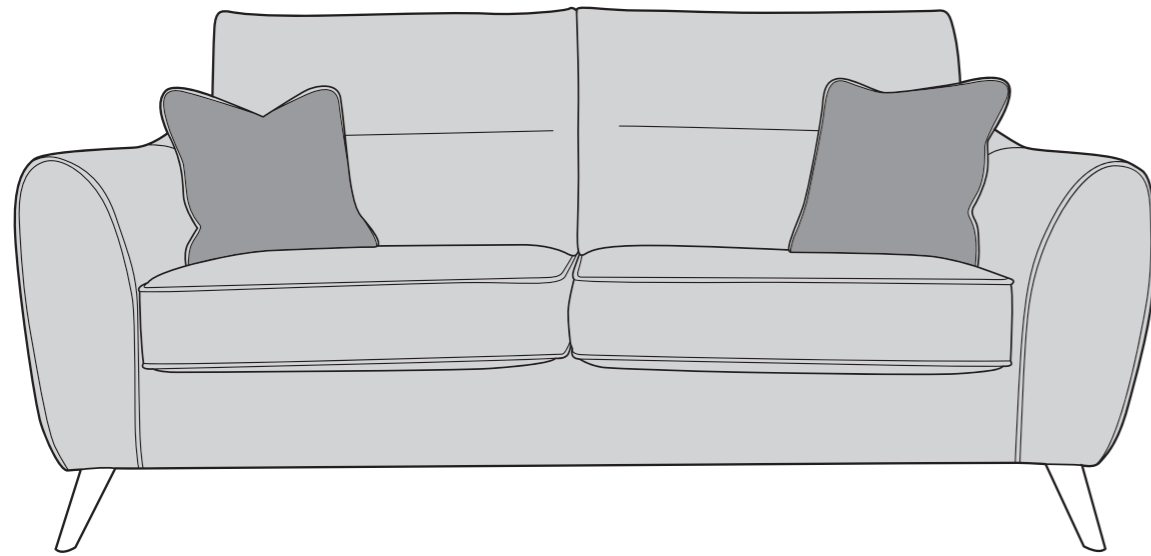
3 seater sofa shown in Cove Natural (Cover 1) and Odelle Rust (Cover 2). Armchair shown in Cove Hazel (Cover 1) and Odelle Rust (Cover 2)

Colours represented are to be used as a guide only, colour shadings can vary slightly from each roll of fabric. Please refer to manufacturers swatch for more colour options.

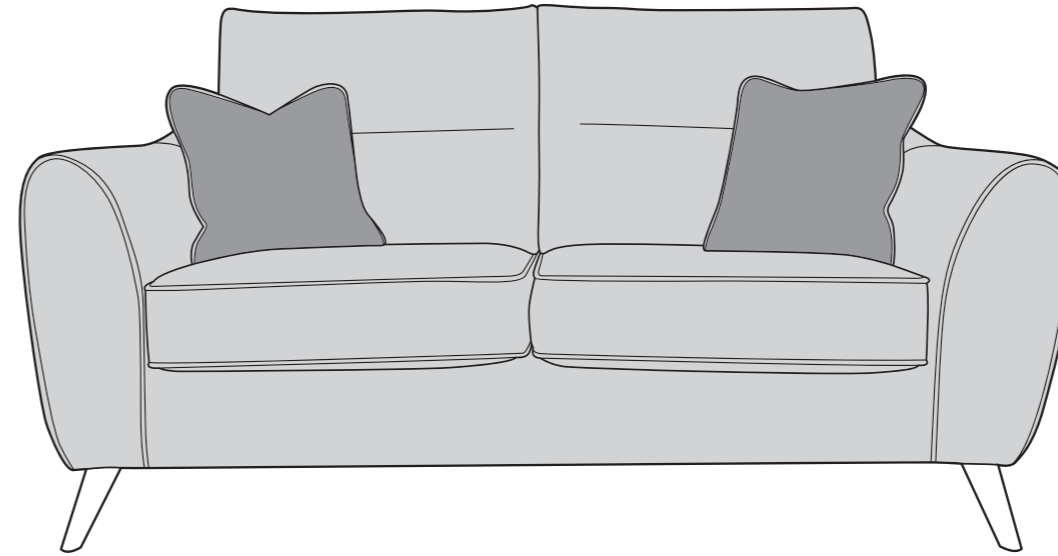
MILLER COVER GUIDE: STANDARD BACK ONLY

Please use this guide when ordering the following pieces to clarify cover options.

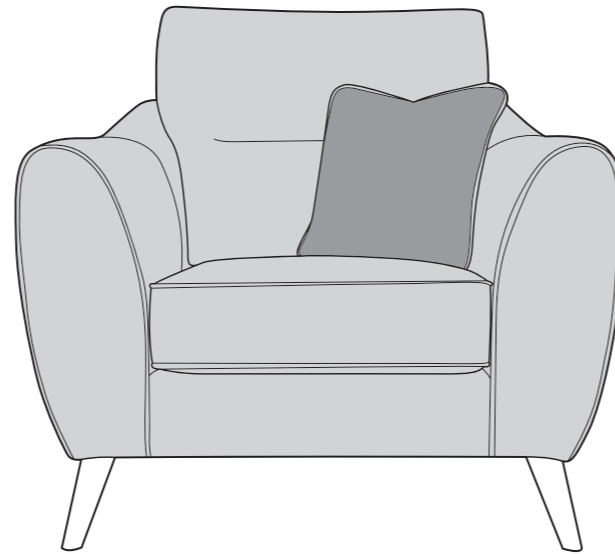
3 Seater Sofa (3ST)



2 Seater Sofa (2ST)

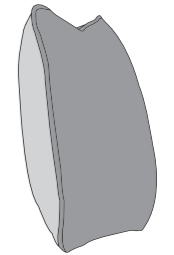


Armchair (1ST)



-  **COVER 1**
(BODY)
-  **COVER 2**
(SCATTER)

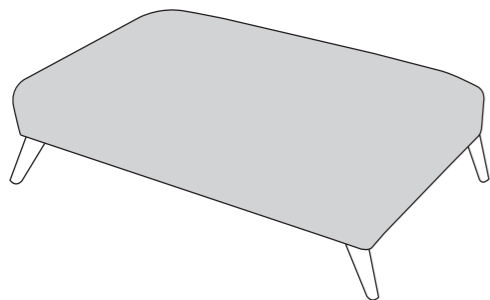
Scatter Cushions



Piped Edge
Front = Cover 2
Back = Cover 1

SUGGESTED ACCENT PIECES

Miller Footstool (FST)



MANUFACTURER MEMBER



MILLER DIMENSIONS (CM)

AVAILABLE PIECES	HEIGHT 1	WIDTH 2	DEPTH 3	SEAT HEIGHT 4	SEAT DEPTH 5	SEAT WIDTH 6	ACCESS DIAGONAL 7	OUTBACK HEIGHT 8	ARM HEIGHT 9	WEIGHT (KG)	SCATTER CUSHION NO.
3 SEATER SOFA (3ST)	99	206	98	50	60	161	220	83	71	57	2
2 SEATER SOFA (2ST)	99	179	98	50	60	135	197	83	71	49	2
ARMCHAIR (1ST)	99	106	98	50	60	61	136	83	71	36.5	1
ACCENT PIECE											
MILLER FOOTSTOOL (FST)	35	106	65	N/A	N/A	N/A	N/A	N/A	N/A	14.5	N/A

* Hardwood & composite board frame.

* Dowelled, screwed, glued & stapled joinery.

* Walnut and Mid Oak foot options.

* Fibre back cushions for added comfort.

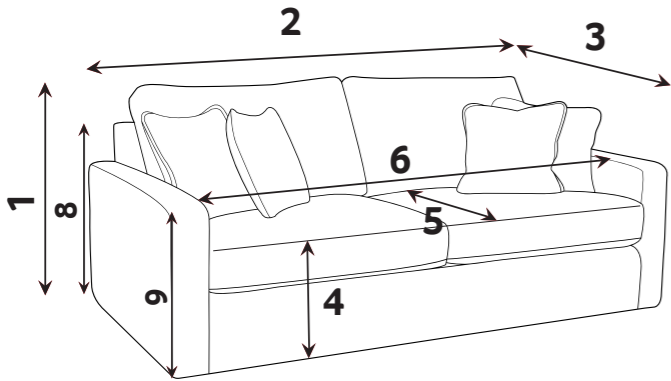
* Reversible high density foam seats for support & comfort.

* Feather filled scatters included. 

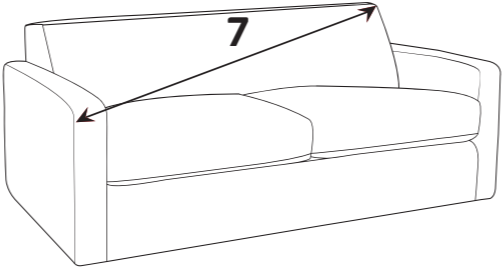
* Serpentine seat springs & silent wire.

* Elasticated back webbing.

DIMENSION GUIDE



Check the diagonal access dimension to ensure furniture will fit in your home.



- 1 - HEIGHT
- 3 - DEPTH
- 5 - SEAT DEPTH (STD & PILLOW)
- 7 - DIAGONAL ACCESS
- 2 - WIDTH
- 4 - SEAT HEIGHT
- 6 - SEAT WIDTH
- 8 - OUTBACK HEIGHT
- 9 - ARM HEIGHT

Illustrations used for reference only.

REVERSIBLE HIGH DENSITY FOAM SEATS

Our high density foam seat interiors offer a comfortable and supportive sit whilst maintaining their shape.

CARE GUIDE

To improve the longevity of your hand-made furniture, we recommend rotating cushions (where applicable).

For further information on maintaining your furniture, please refer to the Care Guide located under the seat platform.

Walnut



Mid Oak



FOOT OPTIONS:

Wood is a natural product and will vary in shade/colour from item to item. Feet may require fitting.



See terms & conditions

Please note : All dimension are approximate. Allow tolerance of +/- 2.5cm.